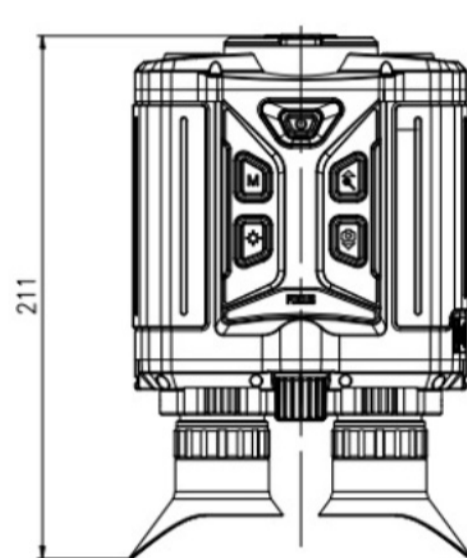
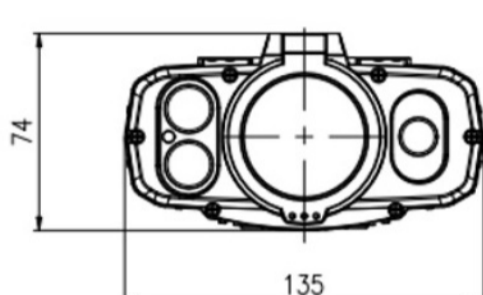


MS715 series

Thermal Imaging Fusion Binoculars



Feature

- ◆ Large size high resolution (1440*1080 pixels), high-performance OLED display.
- ◆ Can be customized to adjust the interpupillary distance between 56~71mm, and the observation comfort is better.
- ◆ Support low-light mode, infrared thermal imaging mode, and dual-light fusion mode to meet the needs of day and night observation and law enforcement.
- ◆ Built-in high-resolution (1920*1080 pixel) low-light camera, WIFI camera, and video function, more convenient on-site forensics and video recording.
- ◆ Built-in GPS positioning, precise positioning of longitude, latitude, and altitude.
- ◆ Built-in three-dimensional electronic compass can display the azimuth angle, horizontal roll, and pitch angle parameters in real time.
- ◆ 1000m accurate laser ranging with an independent switch laser indicator is more convenient for target positioning.
- ◆ IP66 encapsulation is suitable for various environments.

Items	MS715E	MS715	MS715P
Detector		VOx	
Spectral range		8 ~ 14 μm	
Resolution		384×288	640×512
Pixel spacing		12μm	
NETD		≤35mk@30°C	
IR lens			
Focal length	35mm	50mm	50mm
FOV	7.5°*5.7° (±5%)	5.3°*4.0° (±5%)	8.8°*7.0° (±5%)
Focusing method		Manual focus	
Low-light lens			
Resolution		1920 (H) ×1080 (V)	
Minimum illumination		Color DSS:0.0002LUX, BW DSS: 0.0001 LUX	
Image display			
Monitor		Binocular 0.39-inch color OLED, resolution 1440*1080	
Interpupillary distance		56~71mm adjustable	
Diopter adjustment		-5D~+5D adjustable	
Image storage			
Storage card		Built-in memory	
Storage method		Photo/Video	
File format		JPG/MP4	
Capacity		Standard 32G	
Function			
Brightness/ Gainess		Auto/manual	
Image correction		Auto/manual	
E-zoom		1.0~8.0x	
Picture-in-picture		Yes	
Hotspot Tracking		Yes	
Laser Ranging	/	1000m±1m	
Distance display	/	Real-time display of ranging distance	
Laser pointer	/	Yes	
GPS positioning	/	Yes	
Electronic compass		Yes	
Wifi transmission		Yes	
Scene mode		Natural, enhanced, highlighted	
Image mode		Low light mode, infrared thermal imaging mode, dual light fusion mode	
Image color code		White hot, black hot, iron red, red hot, ocean, desert, forest, etc.	
Power system			
Battery type		2*18650 batteries	
Battery continuous working time		>5h	
Charging method		Support online charging and dedicated charger	
External power supply		DC5V/2A (USB Type-C)	
Sleep function		Yes	
Environment			
Working temperature		-30°C~55°C	
Storage temperature		-40°C~70°C	
Humidity		≤95% (non-condensing)	
Impact resistance		30g, GB/T2423.5 (IEC60068-2-27)	
Anti-vibration		2g, GB/T2423.10 (IEC60068-2-6)	
Encapsulation		IP66	
Physical			
Weight		≤0.6Kg (without battery)	
Color		Black	
Dimension		211 (L) mm×145 (W) mm×74 (H) mm	
External interface			
Data interface		Yes	
External video		HDMI	
USB		Yes	
Installation interface		1/4"-20-UNC	
Detection distance			
Human (1.8×0.5) m	Low light: 3200m IR: 1400m Fusion: 1400m	Low light: 3200m IR: 2000m Fusion: 2000m	Low light: 3200m IR: 2000m Fusion: 2000m
Vehicle (2.3×2.3) m	Low light: 5100m IR: 2300m Fusion: 2300m	Low light: 5100m IR: 3200m Fusion: 3200m	Low light: 5100m IR: 3200m Fusion: 3200m
Recognition distance			
Human (1.8×0.5) m	Low light: 1600m IR: 700m Fusion: 700m	Low light: 1600m IR: 1000m Fusion: 1000m	Low light: 1600m IR: 1000m Fusion: 1000m
Vehicle (2.3×2.3) m	Low light: 2500m IR: 1100m Fusion: 1100m	Low light: 2500m IR: 1600m Fusion: 1600m	Low light: 2500m IR: 1600m Fusion: 1600m